

TEL: +44 (0) 1977 684 600



UB-50E
Overhaul
Ball

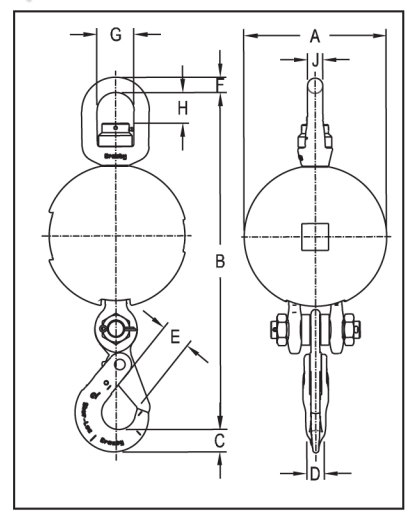
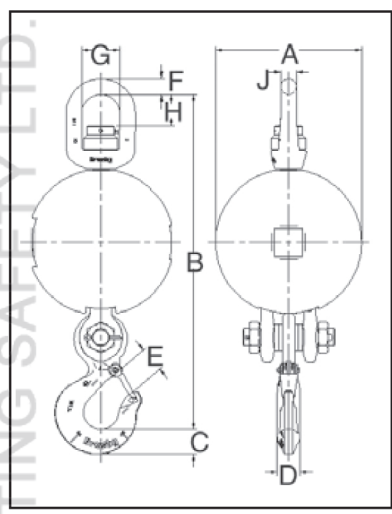
Top Swivel Design assures that the ball remains stationary if the wireline spins.

Available in a variety of configurations

- 4 & 7 Ton capacities
- 85, 150 & 200 lb. weights (ball only)
- Crosby S-320AN Eye Hook or S-1316 SHUR-LOC® Hooks.
- Utilize genuine forged Crosby hooks, bail and connector.
 - Quenched and Tempered
- Both styles of hooks incorporate patented **QUIC-CHECK®** markings forged into the product which address two **QUIC-CHECK®** features:
 - Deformation Indicators and Angle Indicators.
- Easy disassembly for periodic inspection and maintenance.
- Design factor of 4:1.
- All sizes are **RFID EQUIPPED**.



UB-50S
Overhaul
Ball



UB-50E Top Swivel Overhaul Balls with Crosby Eye Hook

UB-50E Stock No.	Model No.	Working Load Limit (t)*	Weight Each (kg)	Dimensions (mm)								
				A	B	C	D	E	F	G	H	J
1036621	MB04BT085E	3.6	51.3	226	533	36.6	33.3	34.5	28.4	69.9	57.9	28.4
1036649	MB04BT150E	3.6	80.7	268	577	36.6	33.3	34.5	28.4	69.9	57.9	28.4
1036667	MB04BT200E	3.6	105	295	602	36.6	33.3	34.5	28.4	69.9	57.9	28.4
1036685	MB07BT085E	6.3	51.3	226	571	46.0	42.2	40.9	28.4	69.9	57.9	28.4
1036705	MB07BT150E	6.3	80.7	268	615	46.0	42.2	40.9	28.4	69.9	57.9	28.4
1036723	MB07BT200E	6.3	105	295	640	46.0	42.2	40.9	28.4	69.9	57.9	28.4

* Ultimate Load is 4 times the Working Load Limit.

UB-50S Top Swivel Overhaul Balls with SHUR-LOC® Eye Hook

UB-50S Stock No.	Model No.	Working Load Limit (t)*	Weight Each (kg)	Dimensions (mm)								
				A	B	C	D	E	F	G	H	J
1036630	MB04BT085E	3.6	51.3	226	592	42.4	29.5	53.6	28.4	69.9	57.9	28.4
1036658	MB04BT150S	3.6	80.7	268	636	42.4	29.5	53.6	28.4	69.9	57.9	28.4
1036676	MB04BT200S	3.6	105	295	661	42.4	29.5	53.6	28.4	69.9	57.9	28.4
1036694	MB07BT085S	6.3	51.3	226	592	42.4	29.5	53.6	28.4	69.9	57.9	28.4
1036714	MB07BT150S	6.3	80.7	268	636	42.4	29.5	53.6	28.4	69.9	57.9	28.4
1036732	MB07BT200S	6.3	105	295	661	42.4	29.5	53.6	28.4	69.9	57.9	28.4

* Ultimate Load is 4 times the Working Load Limit.

McKissick
Blocks